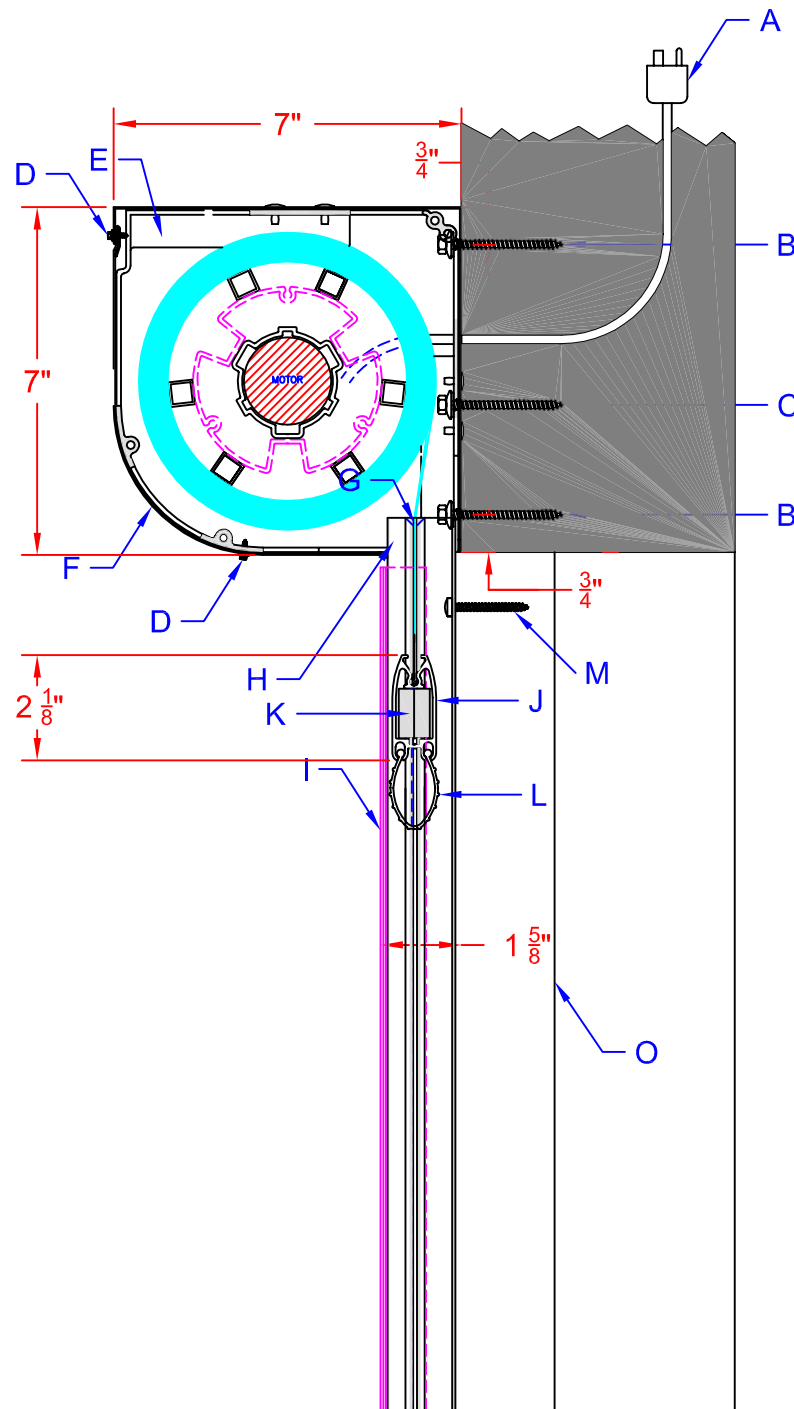
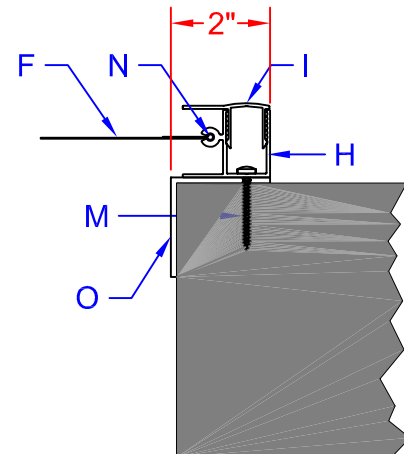


DETAIL AA



DETAIL BB

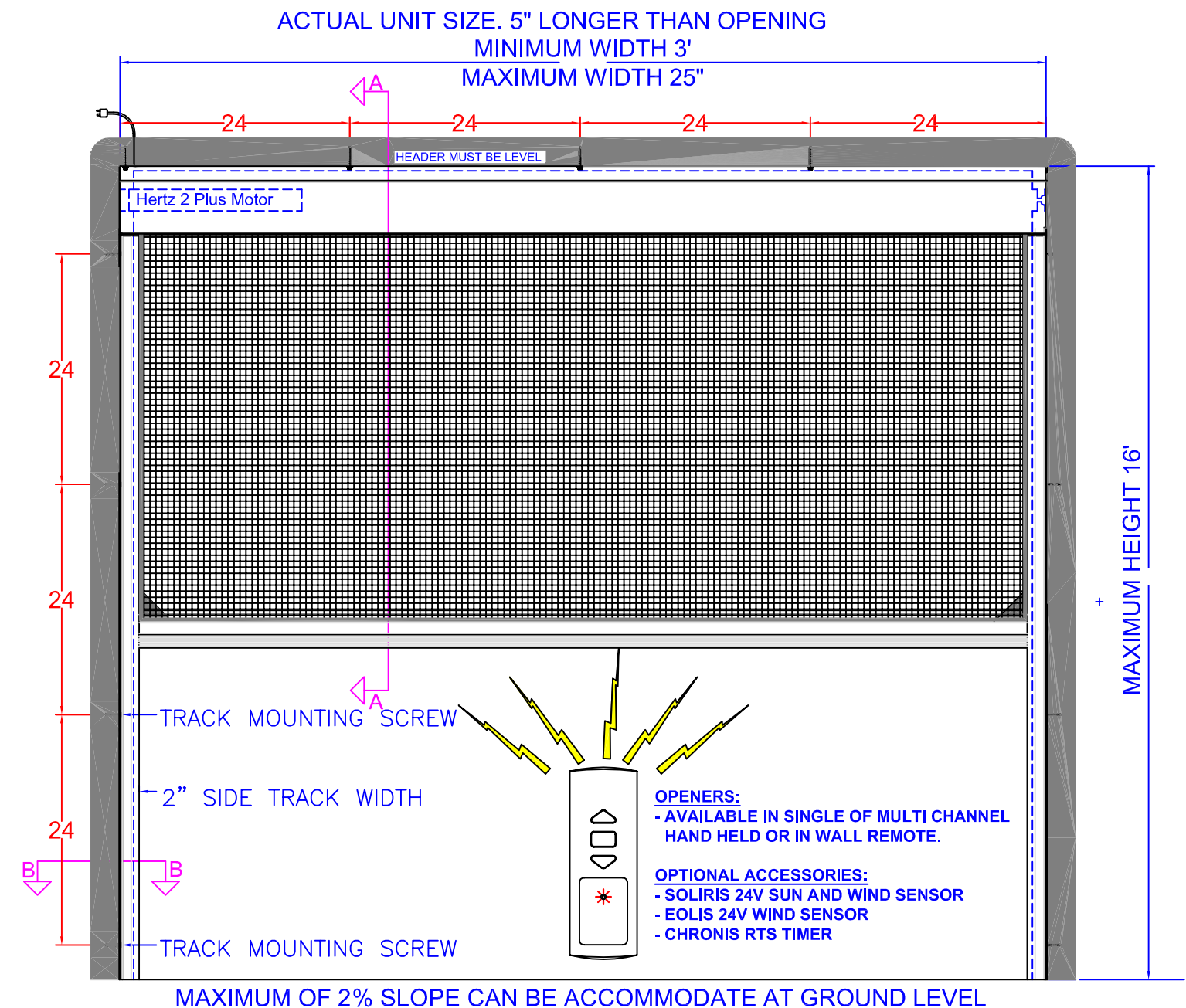


- A) 110 V. 6' LEAD C/W PLUG, MOTOR & PLUG CAN BE POSITIONED AT EITHER END OF SCREEN UNIT.
- B) DOUBLE INTERMEDIATE SCREWS, 24" SPACING (NOT PROVIDED 2" X #12 PAN OR HEX HEAD)
- C) SINGLE END MOUNTING SCREW, LOCATED BETWEEN RIVETS OF CAST END CAP. SCREWS (NOT PROVIDED) RECOMMEND 2" X #12 PAN OR HEX HEAD
- D) HOOD COVER SCREW (PROVIDED)
- E) CAST END CAP
- F) SCREEN MESH
- G) CHAMFERED ENTRANCE TO SCREEN TRACK
- H) SIDE TRACK
- I) SIDE TRACK COVER
- J) WEIGHT BAR
- K) PROBE
- L) BOTTOM SEAL
- M) SIDE TRACK MOUNTING SCREW (NOT PROVIDED) RECOMMEND 2" X #12 PAN HEAD
- N) SCREEN RETENTION ZIPPER

MIRAGE MOTORIZED SCREEN 7" HOOD

OAH (OUTSIDE ABOVE HEADER)

NOTE: SCREEN UNIT MUST EXTEND PAST THE OPENINGS BY A MINIMUM OF 2 1/2" EACH SIDE.



MAXIMUM OF 2% SLOPE CAN BE ACCOMMODATE AT GROUND LEVEL

NOTE: BUILDING GENERAL CONTRACTOR IS RESPONSIBLE FOR PROVIDING ADEQUATE BACKING IN WALLS AND HEADERS TO AFFIX SCREEN UNITS TO THE BUILDING

<p>9747 199A Street, Langley, BC, Canada, V1M 2X7 Phone: 604-888-7655 info@alcoventures.com Fax: 604-888-1718 www.alcoventures.com</p>	Product Line...	PROJECT:	LOCATION:	MIRAGE MOTORIZED SCREEN		MOUNTING:		Motorized Screen	DRAWING No
		STANDARD SCREEN APPLICATION & DETAILS	N/A	DRAWN PS PROJECT No YEAR / No	DESIGNED PS CHECKED N/A	1 DATE ISSUED FOR REVIEW	OUTSIDE ABOVE HEARDE	7" Hood	
	Client: N/A	SCALE NTS CHECKED DATE	No DATE ISSUED - REVISION		OAH 7 HOOD				